

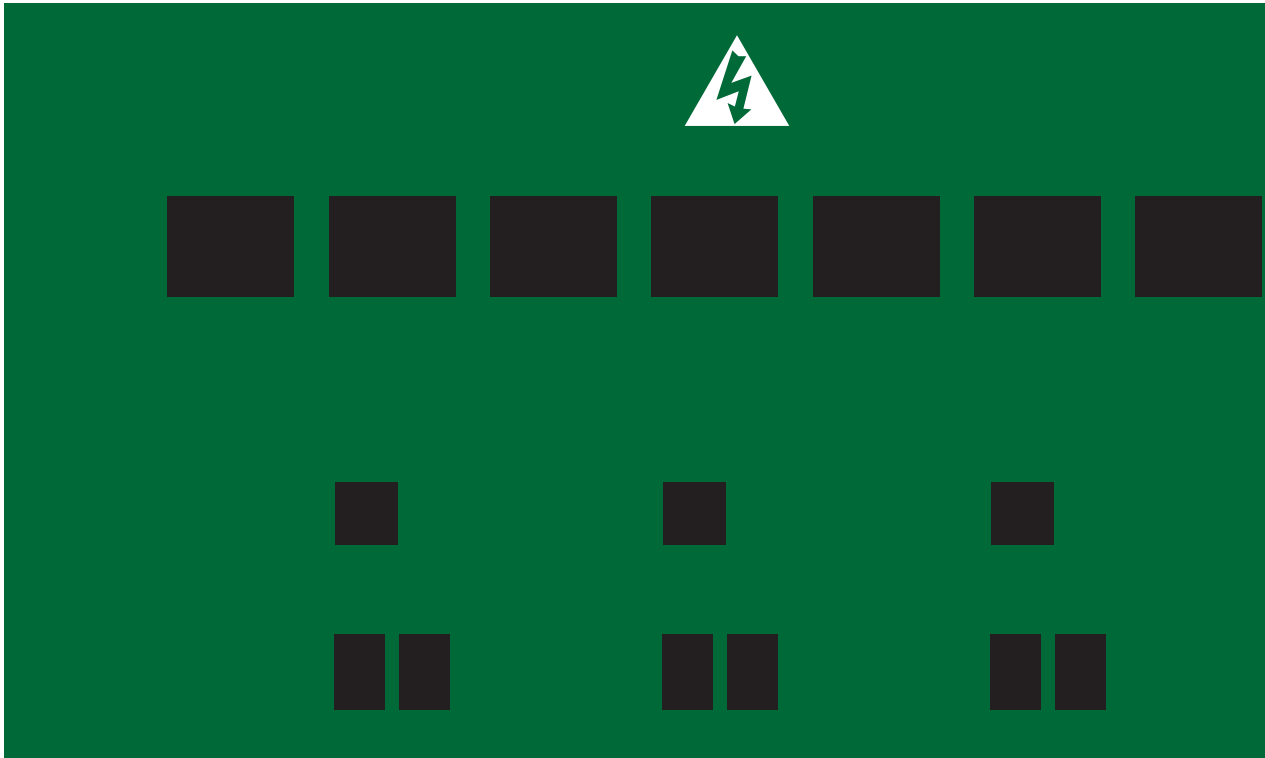
DGTM402

Trailing edge dimmer module (double size)



Specification Sheet

Controllers > DDMC802 Modules



Add four 2A trailing edge dimming channels to the DDMC802

Refer to the DDMC802 Specification Sheet for more information

Specifications

Control

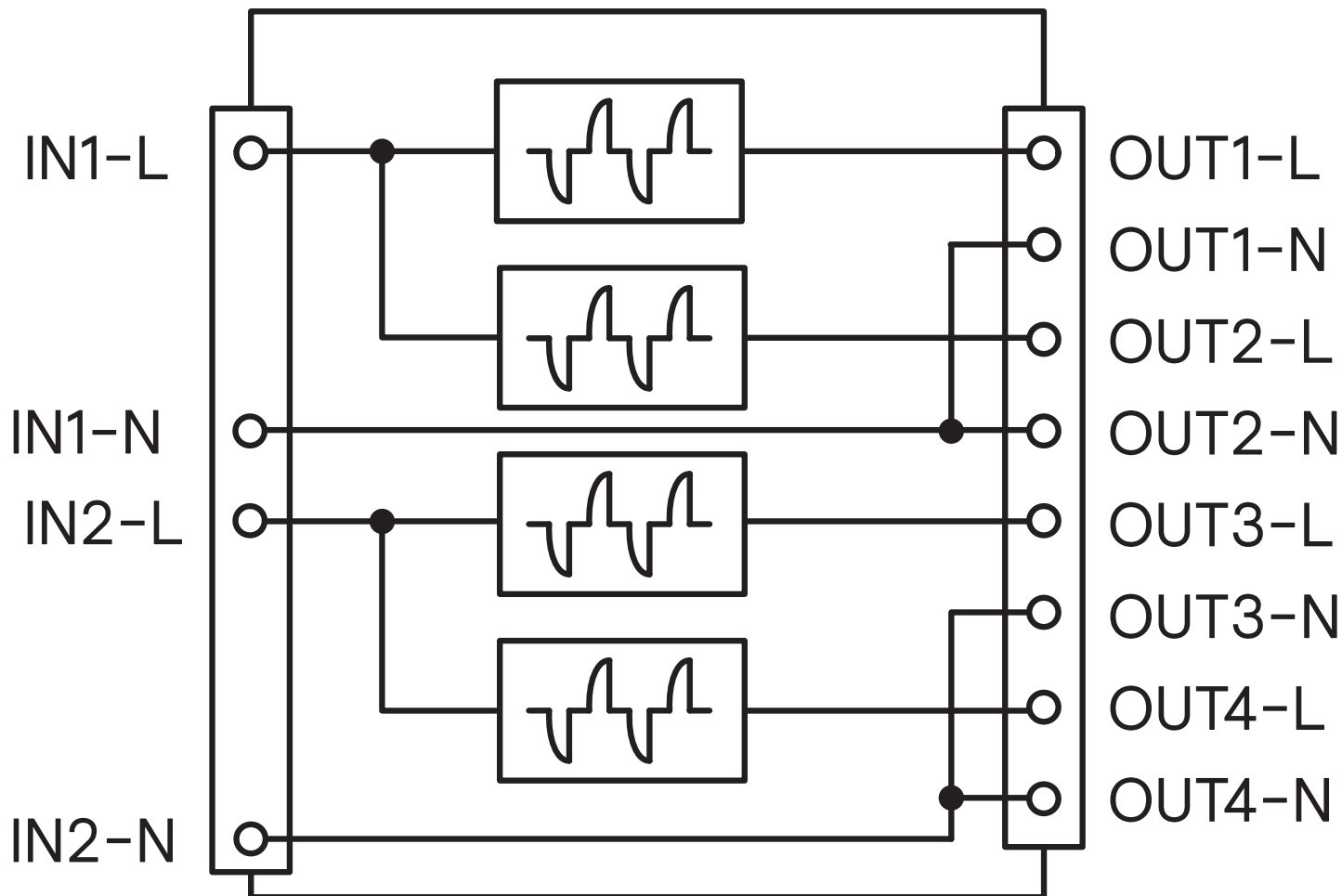
Control Channel Outputs

4

Output Channel Ratings

Load Type	OUT1-OUT4
Incandescent	2 A, 120(UL) / 230 VAC
Electronic Driver	2 A, 120(UL) / 230 VAC
Not compatible with magnetic transformers. Apply ~50% derating for electronic and LED loads.	

Electrical Drawing



Ordering Codes

Product		12NC
DGTM202	4x2A trailing edge dimmer	913703260709