

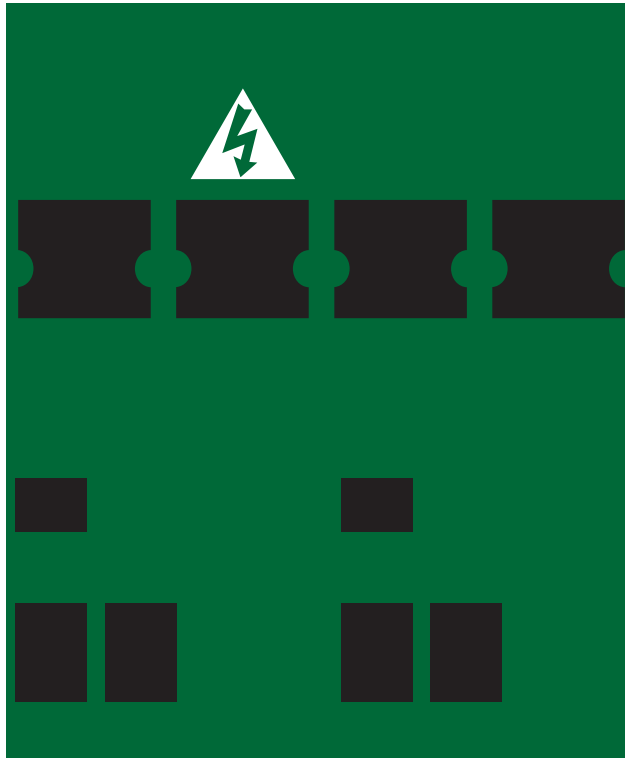
DGTM202

Trailing edge dimmer module



Specification Sheet

Controllers > DDMC802 Modules



Add two 2A trailing edge dimming channels to the DDMC802

Refer to the DDMC802 Specification Sheet for more information

Specifications

Control

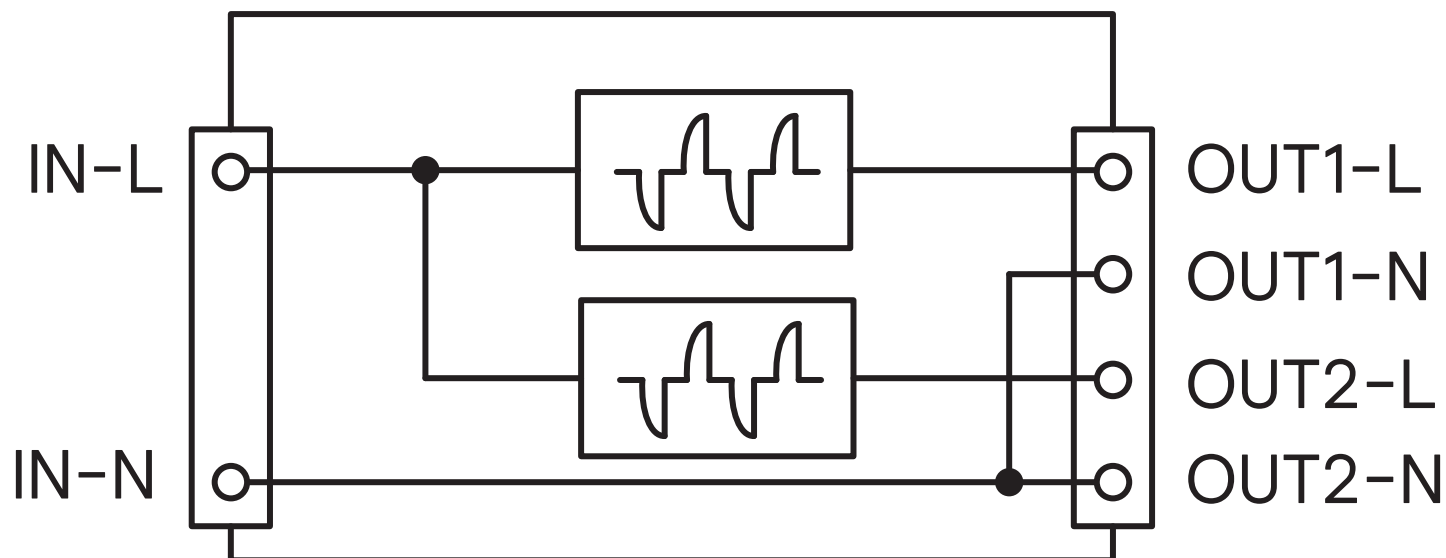
Control Channel Outputs

2

Output Channel Ratings

| Load Type | OUT1, OUT2 |
|---|------------------------|
| Incandescent | 2 A, 120(UL) / 230 VAC |
| Electronic Driver | 2 A, 120(UL) / 230 VAC |
| Not compatible with magnetic transformers. Apply ~50% derating for electronic and LED loads. | |

Electrical Drawing



Ordering Codes

| Product | | 12NC |
|---------|---------------------------|--------------|
| DGTM202 | 2x2A trailing edge dimmer | 913703260709 |