

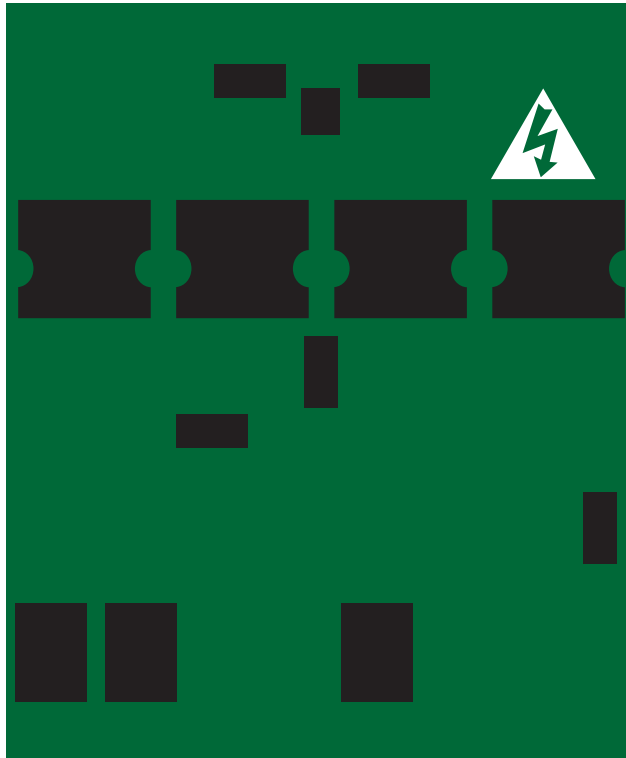
# DGTM104

Trailing edge dimmer module



## Specification Sheet

Controllers > DDMC802 Modules



Add one 4A trailing edge dimming channel to the DDMC802

Refer to the DDMC802 Specification Sheet for more information

## Specifications

---

### Control

---

Control Channel Outputs	1
-------------------------	---

---

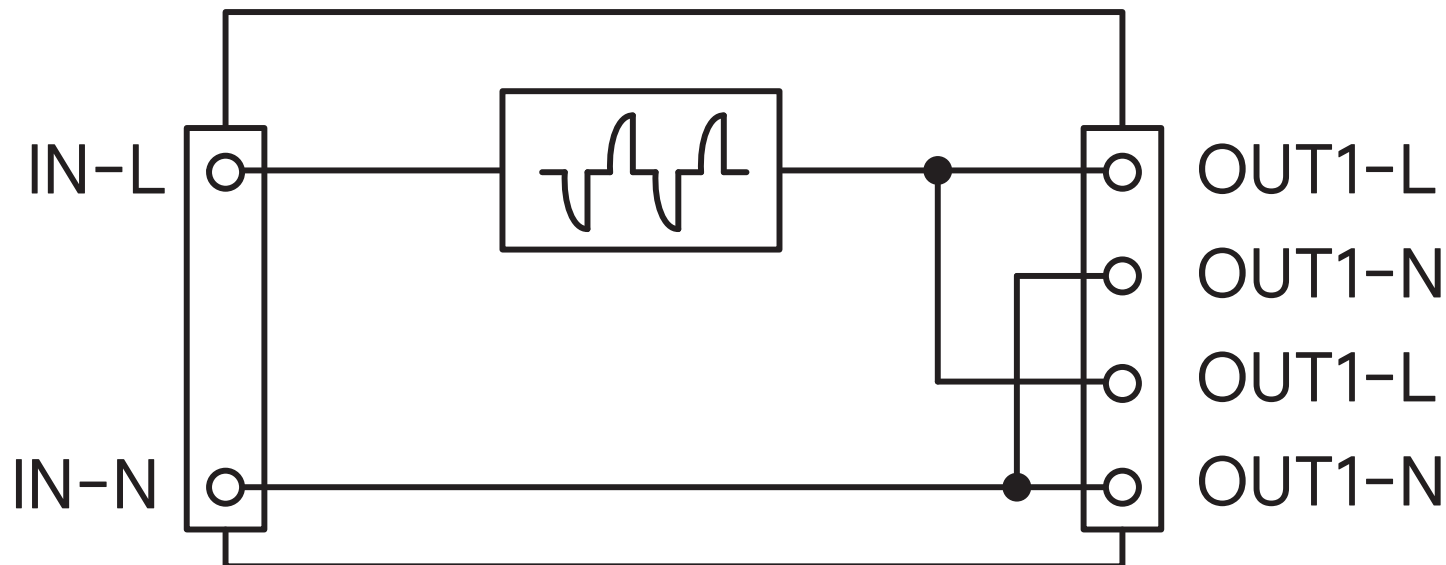
## Output Channel Ratings

---

Load Type	OUT1
Incandescent	4 A, 120(UL) / 230 VAC
Electronic Driver	4 A, 120(UL) / 230 VAC

Not compatible with magnetic transformers.  
Apply ~50% derating for electronic and LED loads.

Electrical Drawing



Ordering Codes

Product	12NC	
DGTM104	4A trailing edge dimmer	913703260609