

# DGRM204

Relay control module



## Specification Sheet

Controllers > DDMC802 Modules



**Add two 4A relay control channels to the DDMC802**

Refer to the DDMC802 Specification Sheet for more information

## Specifications

---

### Control

Control Channel Outputs

2

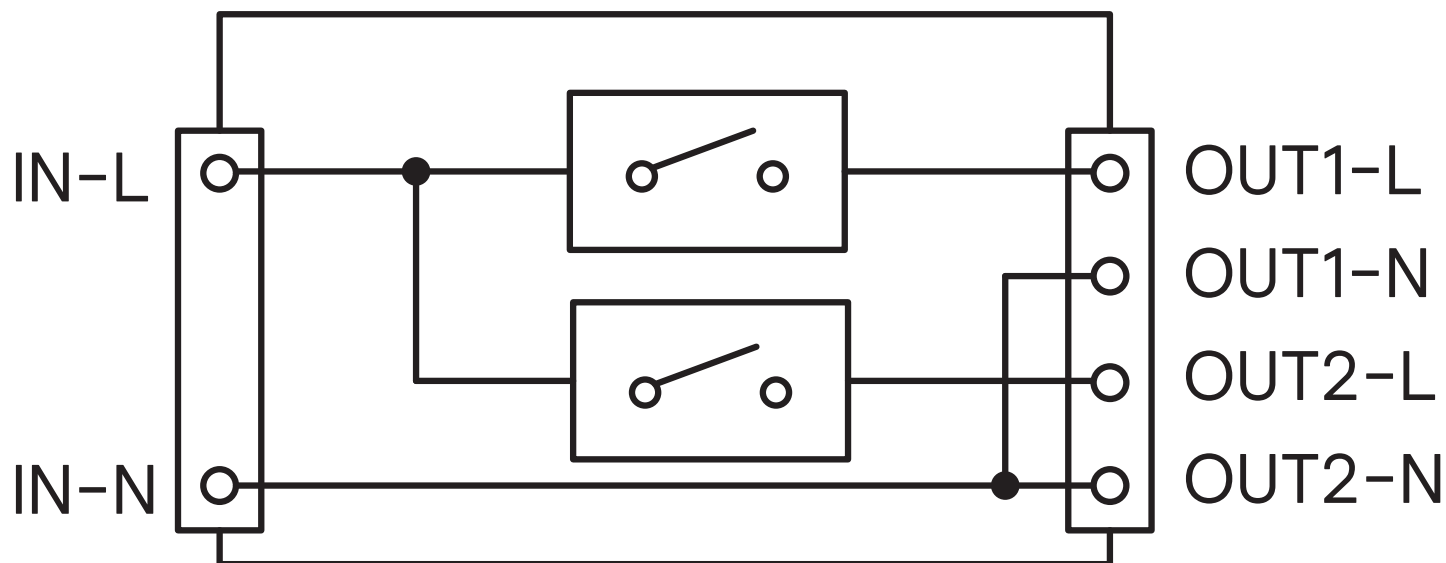
---

## Output Channel Ratings

---

Load Type	OUT1, OUT2
General Use	4 A, 230 VAC
Incandescent	600 W, 120 VAC 1100 W, 230 VAC
Standard Driver	2 A, 120 VAC
Electronic Driver	4 A, 120 VAC 3 A, 230 VAC
Inrush Current	100 A

Electrical Drawing



Ordering Codes

Product		12NC
DGRM204	Relay control module	913703261109