

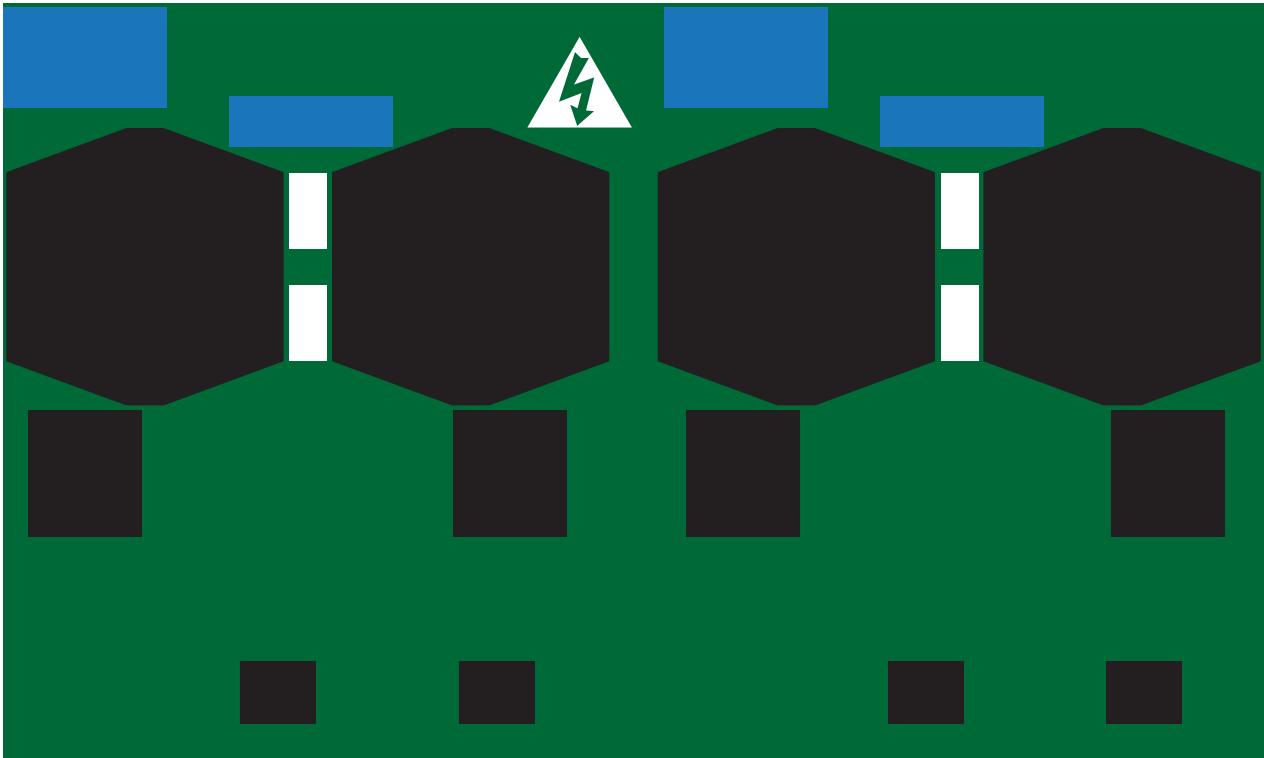
DGLM402

Leading edge dimmer module (double size)



Specification Sheet

Controllers > DDMC802 Modules



Add four 2A leading edge dimming channels to the DDMC802

Refer to the DDMC802 Specification Sheet for more information

Specifications

Control

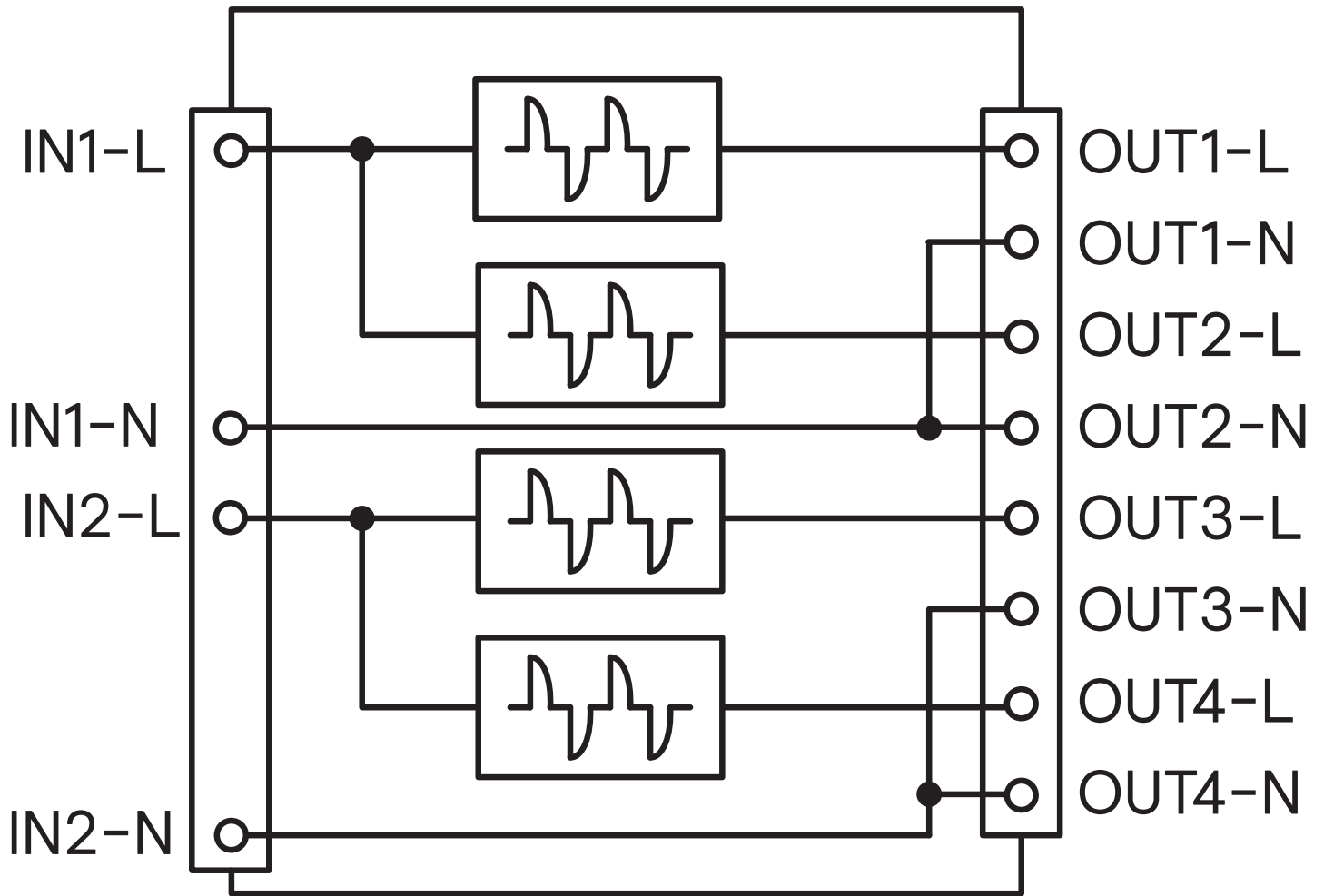
Control Channel Outputs

4

Output Channel Ratings

Load Type	OUT1-OUT4
Incandescent	2 A, 120 / 230 VAC
Standard Driver	2 A, 120 / 230 VAC
Electronic Driver	2 A, 120 / 230 VAC Can be limited by load capacitance. Apply ~30% derating for electronic and LED loads.

Electrical Drawing



Ordering Codes

Product		12NC
DGLM402	4x2A leading edge dimmer (double)	913703261009