

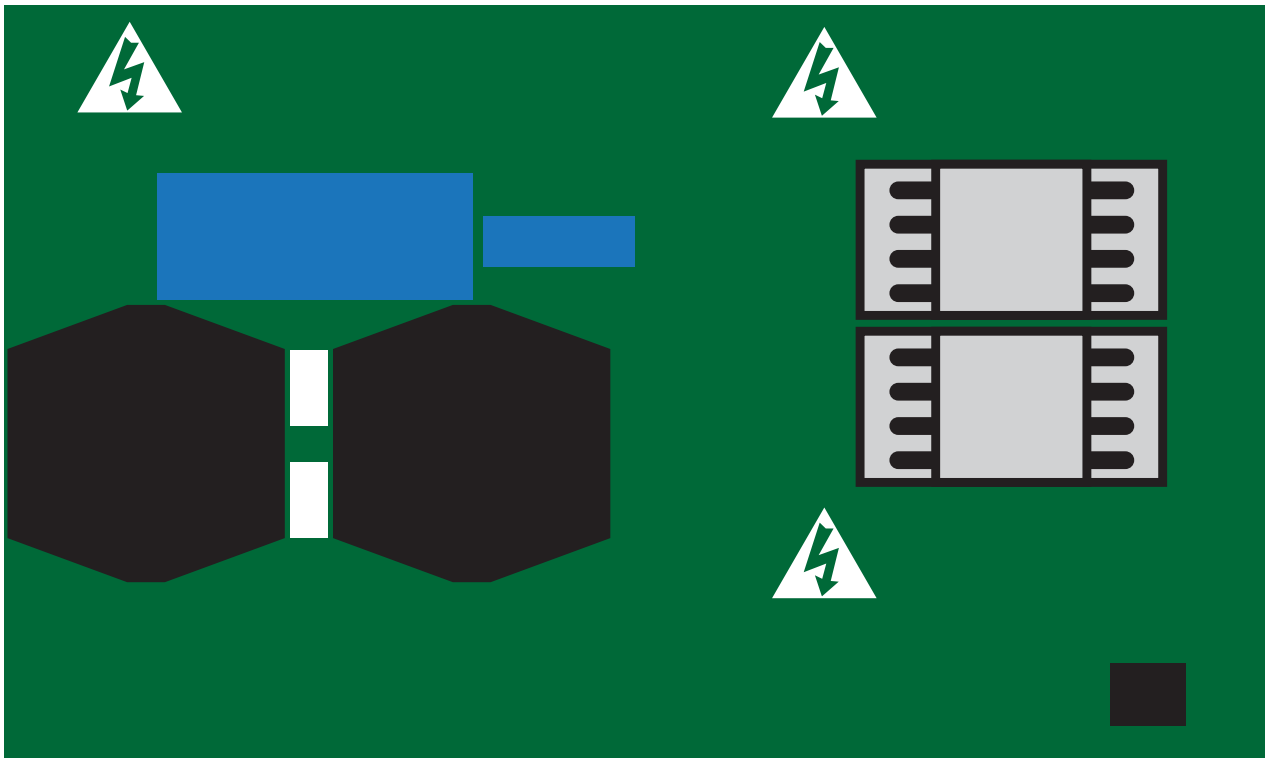
# DGLM105

Leading edge dimmer module (double size)



## Specification Sheet

Controllers > DDMC802 Modules



Add one 5A leading edge dimming channel to the DDMC802

Refer to the DDMC802 Specification Sheet for more information

## Specifications

---

### Control

---

Control Channel Outputs	1
-------------------------	---

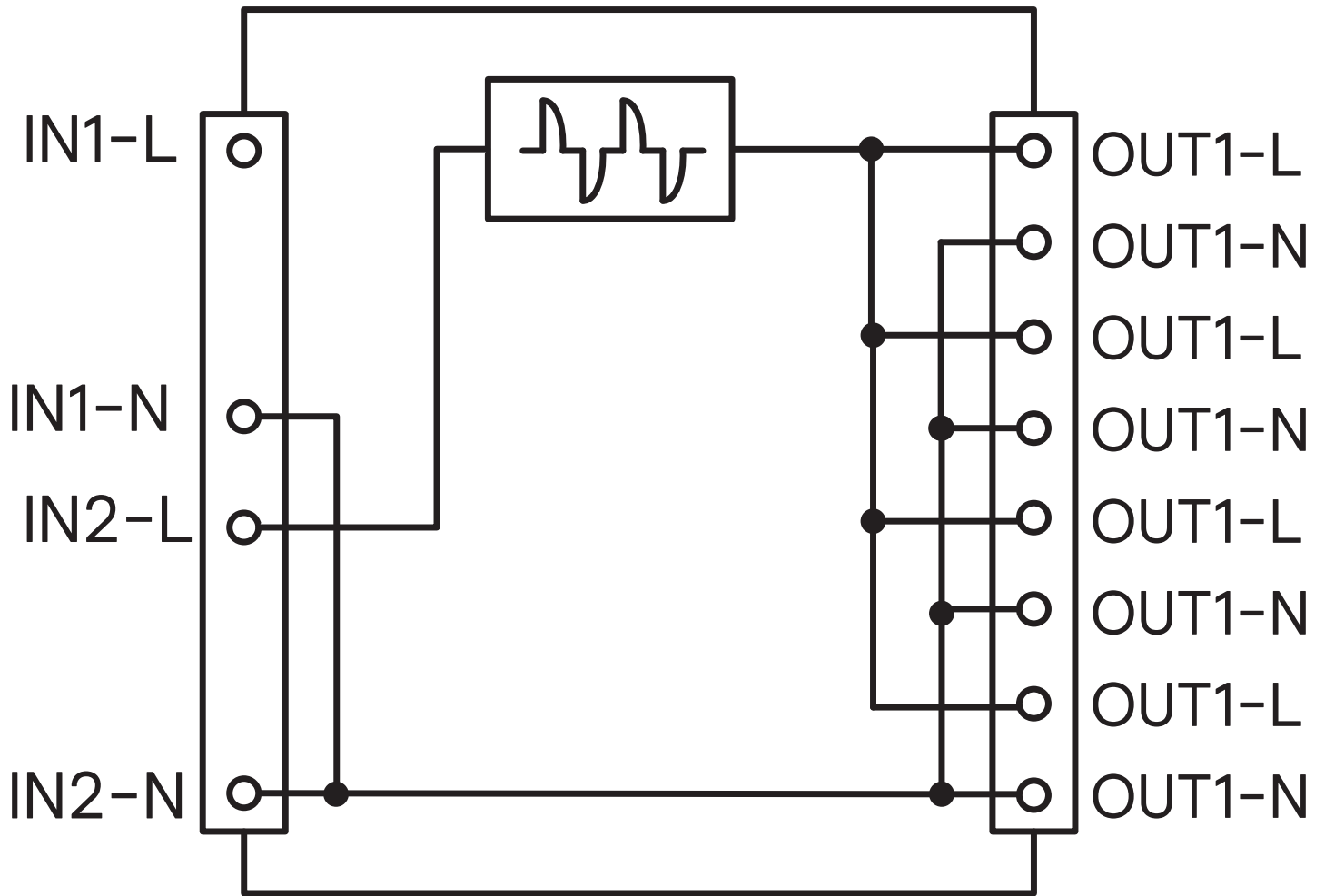
---

## Output Channel Ratings

---

Load Type	OUT1
Incandescent	5 A, 120 / 230 VAC
Standard Driver	5 A, 120 / 230 VAC
Electronic Driver	5 A, 120 / 230 VAC  Can be limited by load capacitance. Apply ~30% derating for electronic and LED loads.

Electrical Drawing



Ordering Codes

Product		12NC
DGLM105	5A Leading edge dimmer (double)	913703260809