

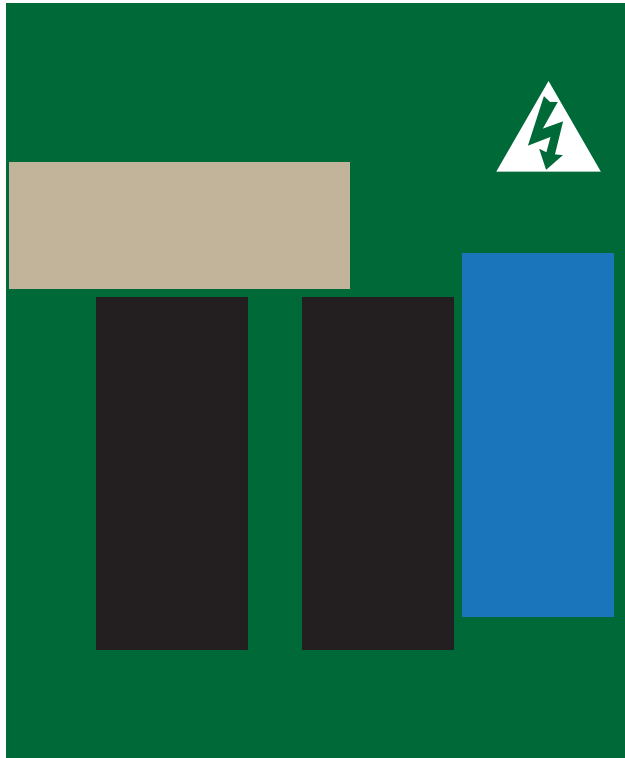
DGFM102

Fan control module



Specification Sheet

Controllers > DDMC802 Modules



Add one 3-speed fan control channel to the DDMC802

Refer to the DDMC802 Specification Sheet for more information

Specifications

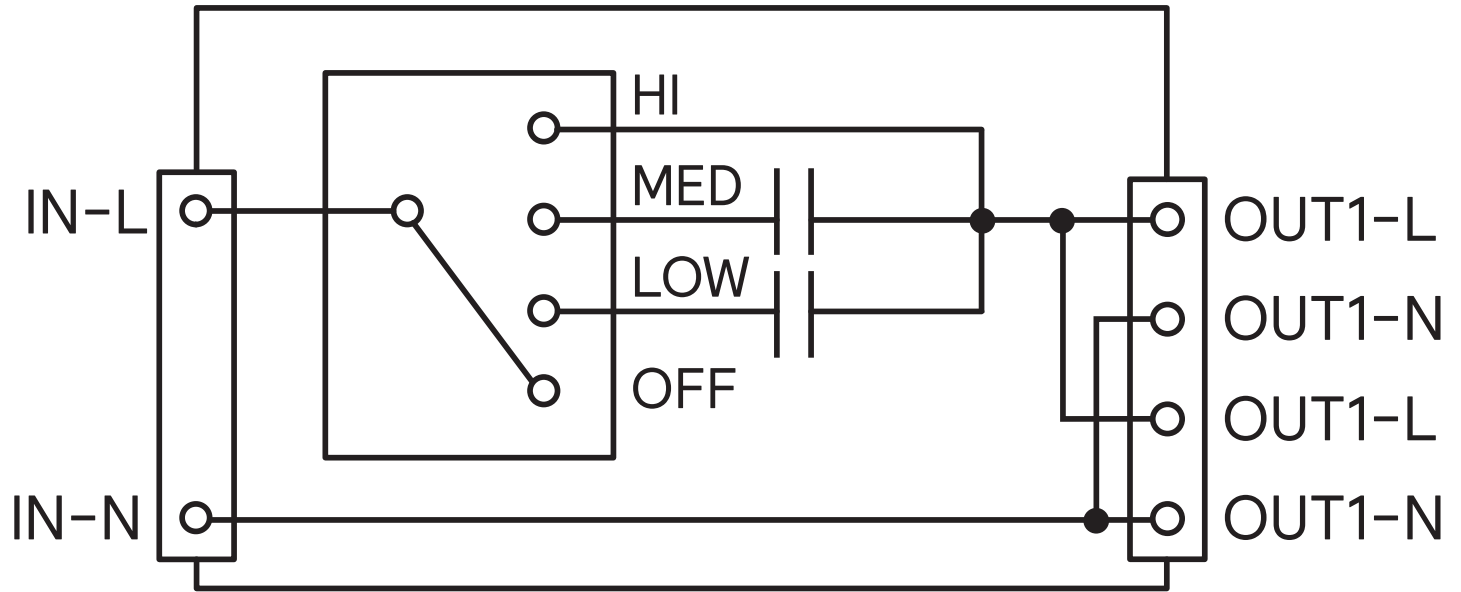
Control

Control Channel Outputs	1
-------------------------	---

Output Channel Ratings

Load Type	OUT1
Motor	400 VA, 230 VAC
Not suitable for 120 VAC (Not UL listed)	

Electrical Drawing



Ordering Codes

Product		12NC
DGFM102	Fan control module	913703026709