

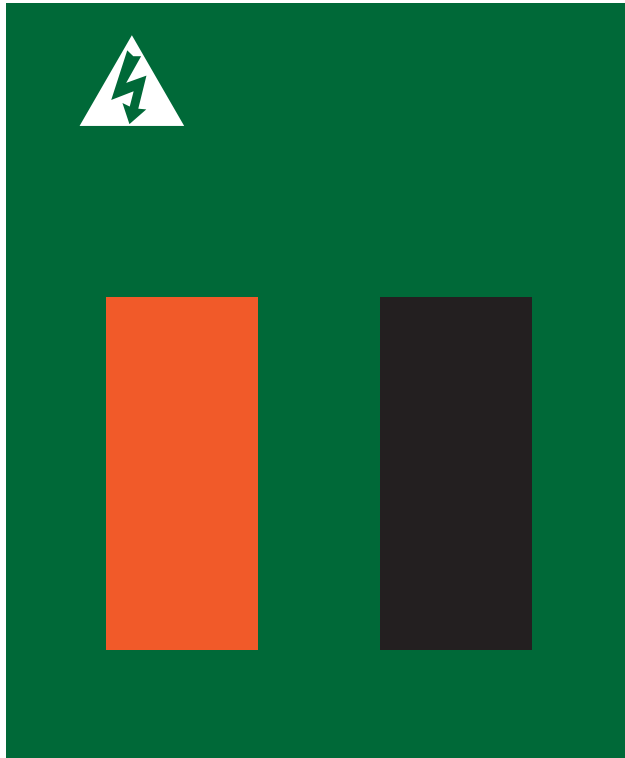
DGCM102

Motorised curtain/blind control module



Specification Sheet

Controllers > DDMC802 Modules



Add one curtain/blind control channel to the DDMC802

Refer to the DDMC802 Specification Sheet for more information

Specifications

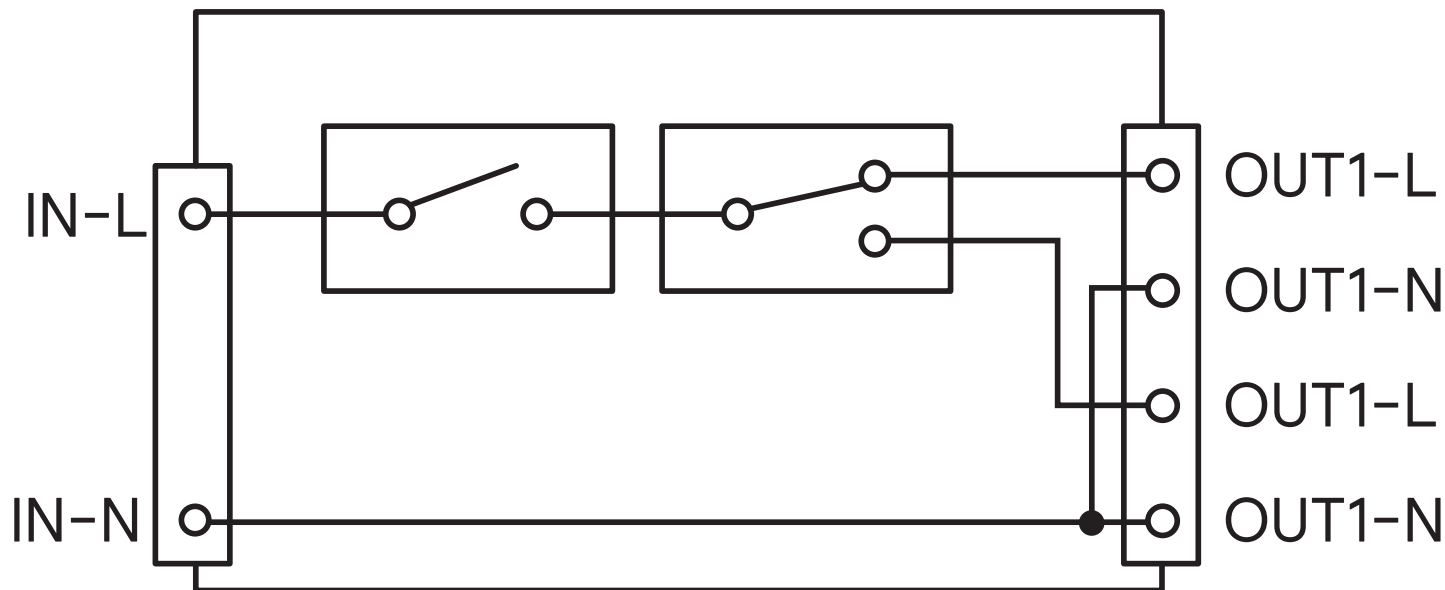
Control

Control Channel Outputs	1
-------------------------	---

Output Channel Ratings

Load Type	OUT1
General Use	2 A, 230 VAC
Motor	4.4 FLA (1/8 HP), 120 VAC 4.9 FLA (1/2 HP), 230 VAC
Total Device Load	
≤ 15 A	

Electrical Drawing



Ordering Codes

Product		12NC
DGCM102	Curtain control module	913703024409