

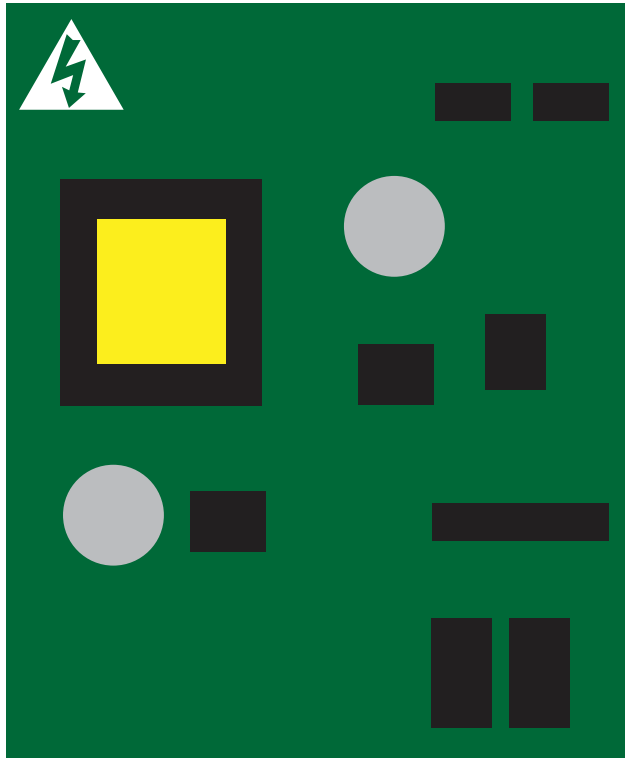
DGBM200

Signal dimmer control module



Specification Sheet

Controllers > DDMC802 Modules



Add two DALI Broadcast, 1-10 V, or DSI channels to the DDMC802

Refer to the DDMC802 Specification Sheet for more information

Specifications

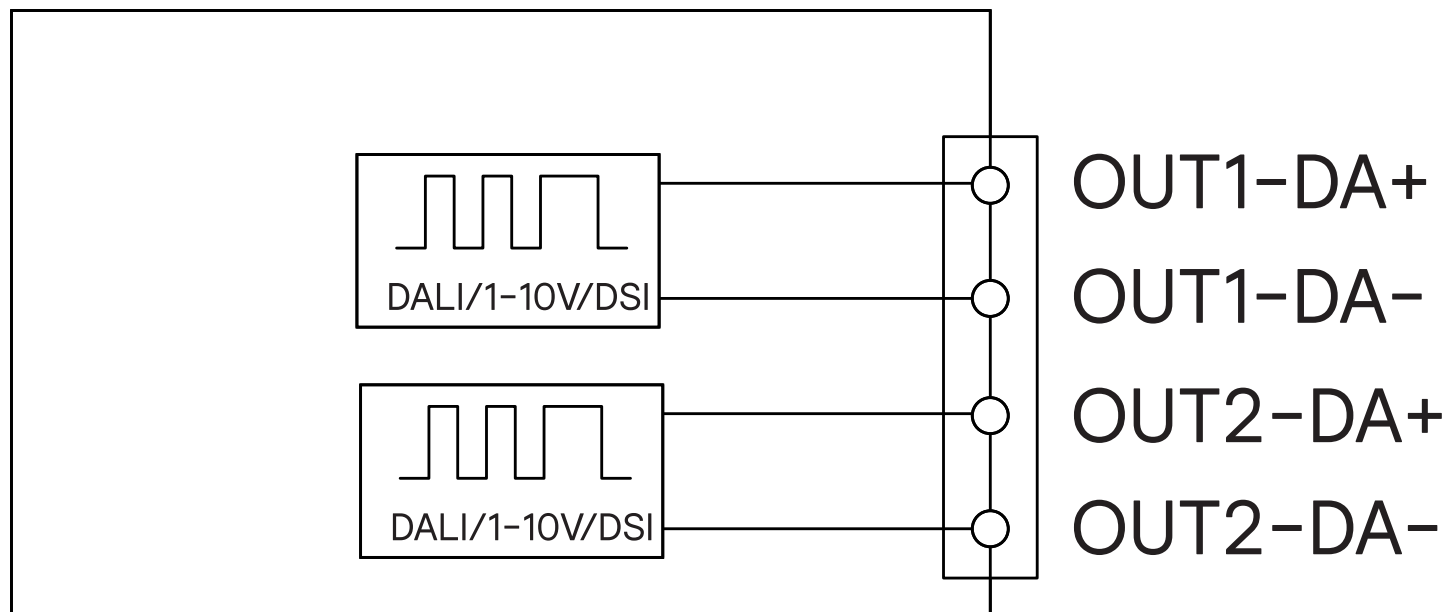
Control

Control Channel Outputs 2
(DALI Broadcast, 1-10 V, DSI)
(Supports DALI 209 tuneable white)

Control Channel Ratings

DALI/DSI	
Guaranteed Current	10 mA
Maximum Current	250 mA
Maximum Drivers/Channel	5
Maximum Drivers/Device	10
Insulation	Basic
1-10 V	
Current (Sink)	10 mA
Current (Source)	10 mA

Electrical Drawing



Suitable for Class 1 or Class 2 wiring

Ordering Codes

Product		12NC
DGBM200	Signal dimmer module	913703261209