

# DTK622-USB

PC Node

PC connection node

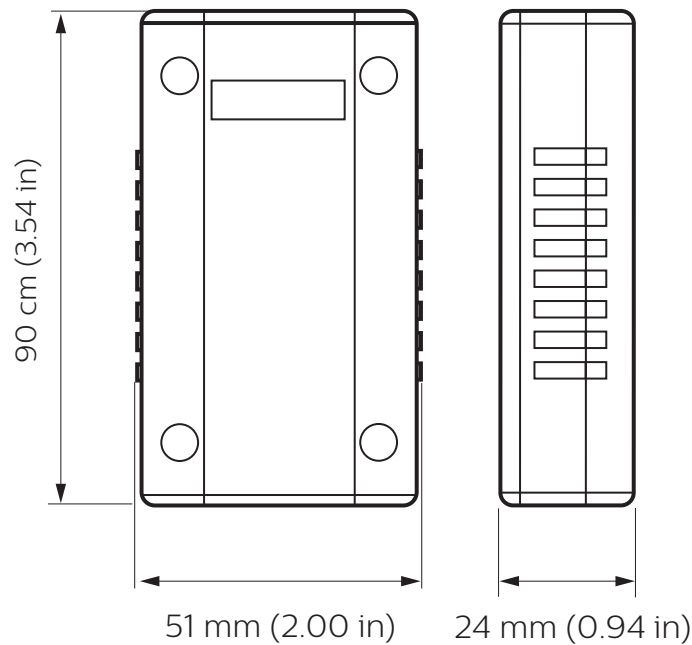
The Philips Dynalite DTK622-USB provides a USB connection from your PC to the Dynalite system.

# DTK622-USB

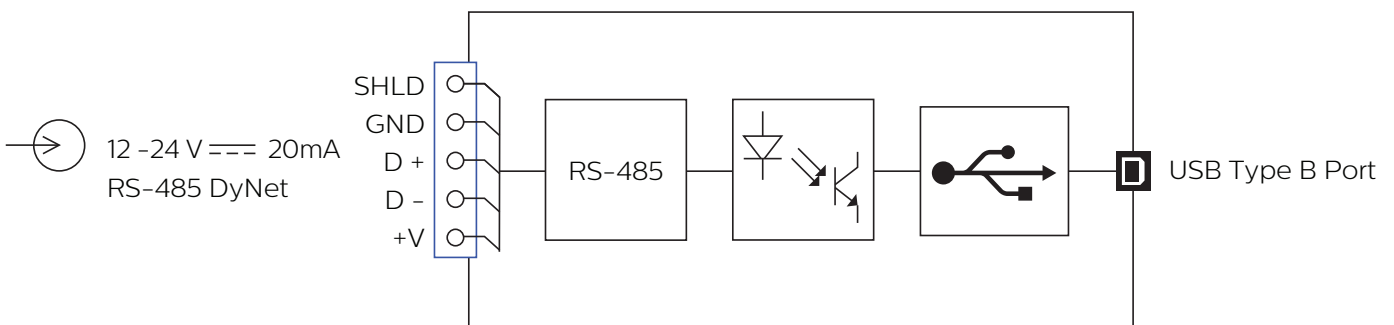
## PC connection node

- **Useful interface for any PC** – Now also compatible with Windows 11\*, providing complete access to all network messages present on the DyNet network.
- **Commissioning and maintenance tool** – Can be used in conjunction with Philips Dynalite System Builder to commission, configure, and diagnose Dynalite devices.
- **Permanent PC connection** – Can be used as a permanent gateway to the system for the Philips Dynalite System Manager head-end software.
- **Optical isolation** – Separation of USB and RS-485 interfaces protects connected devices from accidental damage or data loss caused by an electrical fault on the other side.

## Dimensions



## Electrical



# Specifications

Due to continuous improvements and innovations, specifications may change without notice.



**DTK622-USB**  
PC Node

## Electrical

Supply Type	DyNet
Supply Voltage	12-24 VDC (nominal)
Supply Current	20 mA
Serial Port Isolation	Optical
IEC Overvoltage Category	III

## Control

Serial Ports	1 x RS-485 1 x USB
Supported Protocols	DyNet
Indicators	1 x Power LED 1 x Data LED

## Physical

Dimensions (H x W x D)	24 x 51 x 90 mm (0.94 x 2.0 x 3.54 in)
Packed Weight	94 g (0.2 lb)
Construction	ABS plastic
Serial Ports	1 x 5-way pluggable screw terminal 1 x USB type-B
Screw Terminal Conductor Size	0.3-2.5 mm <sup>2</sup> (#22-12 AWG)

## Environment\*

Operating Temperature	0° to 40°C ambient (32° to 104°F)
Storage/Transport Temperature	-25° to 60°C ambient (-13° to 140°F)
Relative Humidity	0 to 95% non-condensing
IEC Pollution Degree	II

## Compliance

Certification	CE, RCM, UKCA, FCC, ICES, RoHS
---------------	--------------------------------

\* For indoor installation only



## Ordering Codes

### Product

DTK622-USB

**Philips 12NC**

913703090209

### Accessories (Supplied)

1 x USB Cable (type-A to type-B)

1 x RJ12 Cable

1 x 5-pin dual-RJ12 dingus

© 2024 Signify Holding.

All rights reserved. Specifications are subject to change without notice. No representation or warranty as to the accuracy or completeness of the information included herein is given and any liability for any action in reliance thereon is disclaimed. Philips and the Philips Shield Emblem are registered trademarks of Koninklijke Philips N.V. All other trademarks are owned by Signify Holding or their respective owners.



[www.dynalite.com](http://www.dynalite.com)

Revision 07 – 2024-03-22