

# PD-KoD-TC

DALI Mini Training Case

Discover the power of DyNet and DALI

This compact, portable device provides a simulated single-universe DALI lighting control network for training and education purposes, incorporating an AntumbraDisplay UI, DALI sensor, and dry contact user inputs.

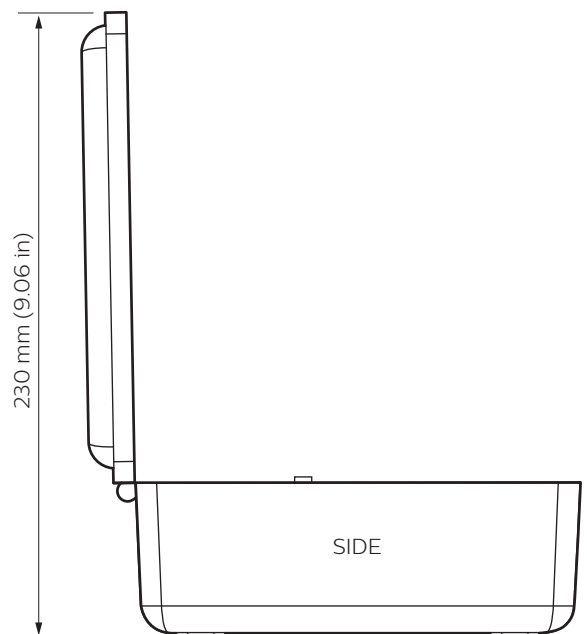
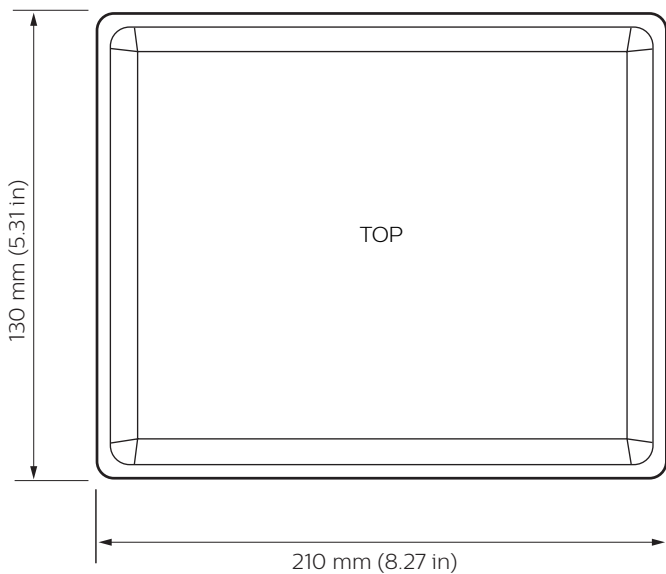
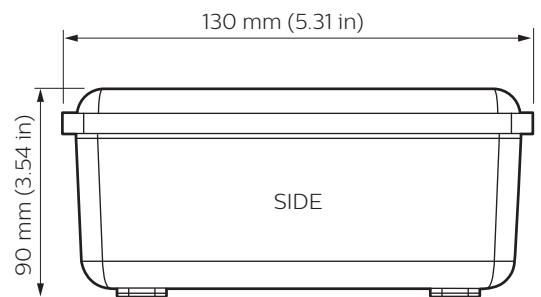
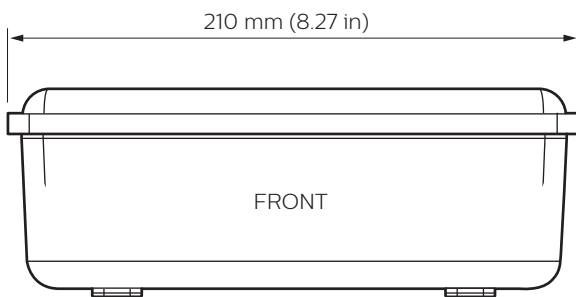
Integrated DyNet and DALI terminals allow the connection of additional drivers, sensors, gateways, controllers, and UIs to simulate various control scenarios.

# PD-KoD-TC

## Discover the power of DyNet and DALI

- **DDBC120-DALI controller** – Delivers the combined power of DALI and DyNet functionality to simulate real-world lighting and control scenarios.
- **Realistic floor plan** – 37 embedded LEDs provide a simulation of DALI dimming control.
- **External DALI terminal** – Extend the inbuilt DALI universe with additional drivers, sensors, and UIs.
- **AntumbraDisplay UI** – Simulate lighting scenes and monitor temperature and light levels in real time.
- **DALI multifunction sensor** – Demonstrate the power of automated systems to respond dynamically to occupancy and lighting changes.
- **DPMI940-D dry contact interface** – Two configurable momentary switches provide direct control via the DALI bus.

## Dimensions



# Specifications

Due to continuous improvements and innovations, specifications may change without notice.



**PD-KoD-TC**  
DALI Mini Training Case

## Electrical

Supply Voltage	15 VDC (PSU included)
Supply Current	2.5 A
DyNet DC Output Voltage	12 VDC
DyNet DC Output Current	50 mA
IEC Overvoltage Category	III

## Control

Serial Ports	1 x RS-485
Supported Protocols	DyNet
Control Channel Outputs	1 x DALI-2 (DALI-2 certified and DALI registered drivers only) (Supports DALI 207 & DALI 209 RGBW/Tunable White)
Indicators	1 x power LED 1 x service LED
User Inputs	1 x service switch
User Interfaces	1 x six-button AntumbraDisplay Euro
Multifunction Sensors	1 x DUS360CR-DALI
Sensor User Input	1 x service switch
Sensor Indicator	1 x red motion LED
Sensor Lux Range	5-5000 lux
Sensor Detection Range	≤ 5 m (16.4 ft) (Typical at ≤ 25 °C (77 °F), reduced at higher temperatures.)
DPMI940-DALI User Inputs	2 x dry contact momentary switch 1 x service switch

## Physical

Dimensions (Closed - H x W x D)	90 x 210 x 130 mm (3.54 x 8.27 x 5.31 in)
Packed Weight	1.5 kg (3.3 lb)
Construction	Hinged plastic enclosure
Color	Black
Floor Plan LEDs	37 x dimmable white (DALI 207)
Serial Ports	1 x RJ12 (DyNet)
External DALI Ports	1 x two-way push-in wire connector
Supply Port	1 x 2 mm DC power connector

## Environment

Operating Temperature	0° to 40°C ambient (32° to 104°F)
Storage/Transport Temperature	-25° to 60°C ambient (-13° to 140°F)
Relative Humidity	0 to 90% non-condensing
IEC Pollution Degree	II

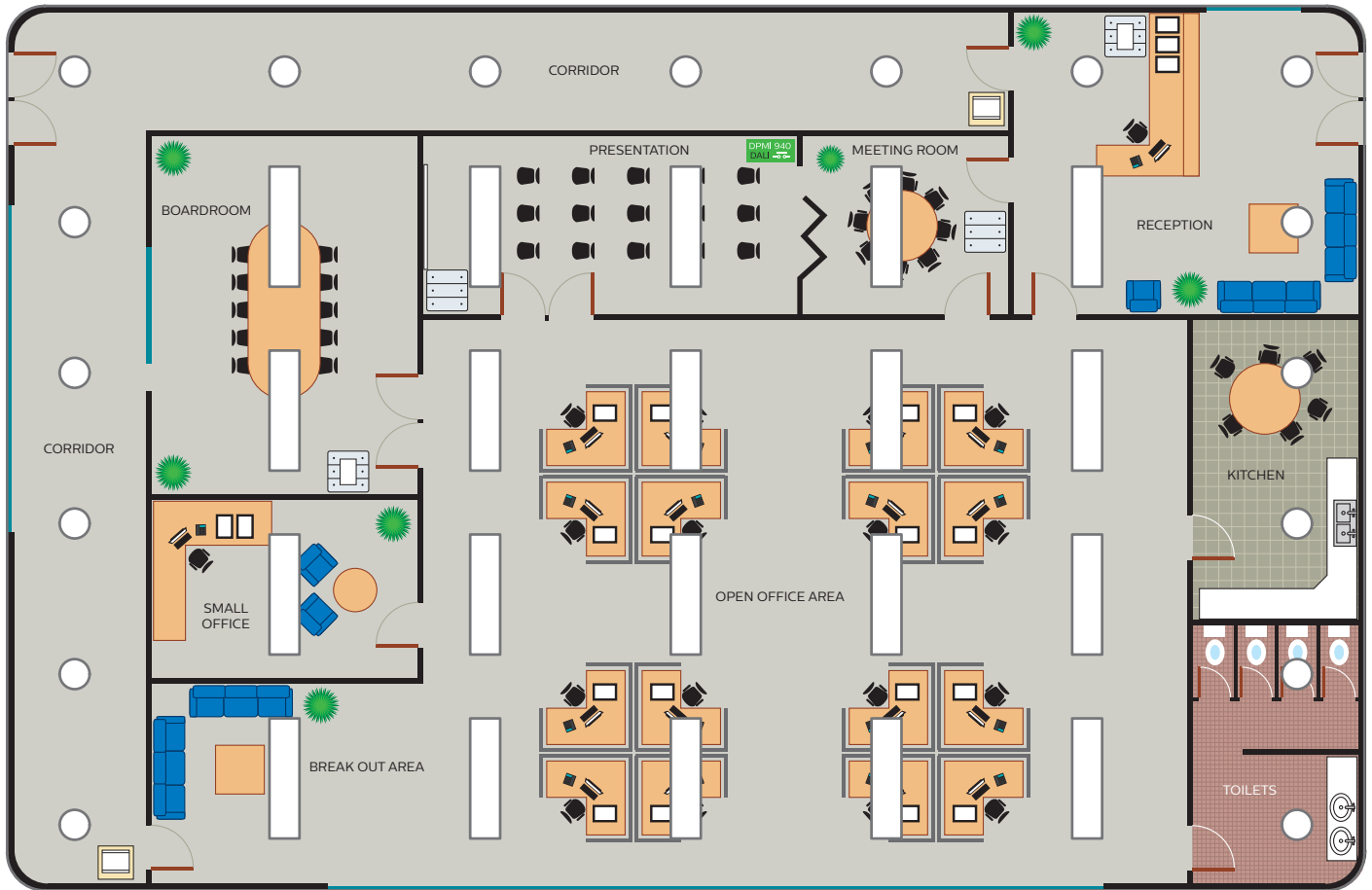
## Compliance

Certification	CE, RCM, RoHS
---------------	---------------



# Floor Plan

The image below is an approximate representation and may differ slightly from the final product.



## Ordering Codes

### Product

PD-KoD-TC

12NC

913703351509

### Accessories

DTK622-USB (USB PC Node)

12NC

913703090209

DTK622-232 (Serial Port Node)

913703090109

© 2024 Signify Holding.

All rights reserved. Specifications are subject to change without notice. No representation or warranty as to the accuracy or completeness of the information included herein is given and any liability for any action in reliance thereon is disclaimed. Philips and the Philips Shield Emblem are registered trademarks of Koninklijke Philips N.V. All other trademarks are owned by Signify Holding or their respective owners.



[www.dynalite.com](http://www.dynalite.com)

Revision 03 – 2024-01-18