



PAXBLE

AntumbraLite Euro

Two-, four-, or six-button panel with dry contact switches

AntumbraLite is a cost-effective user interface with a sleek, contemporary design, intended for use with any Dynalite load controller featuring dry contact inputs.

Available in the full range of Antumbra button and rim finishes, AntumbraLite also supports customized button labelling with text or icons to suit any application.

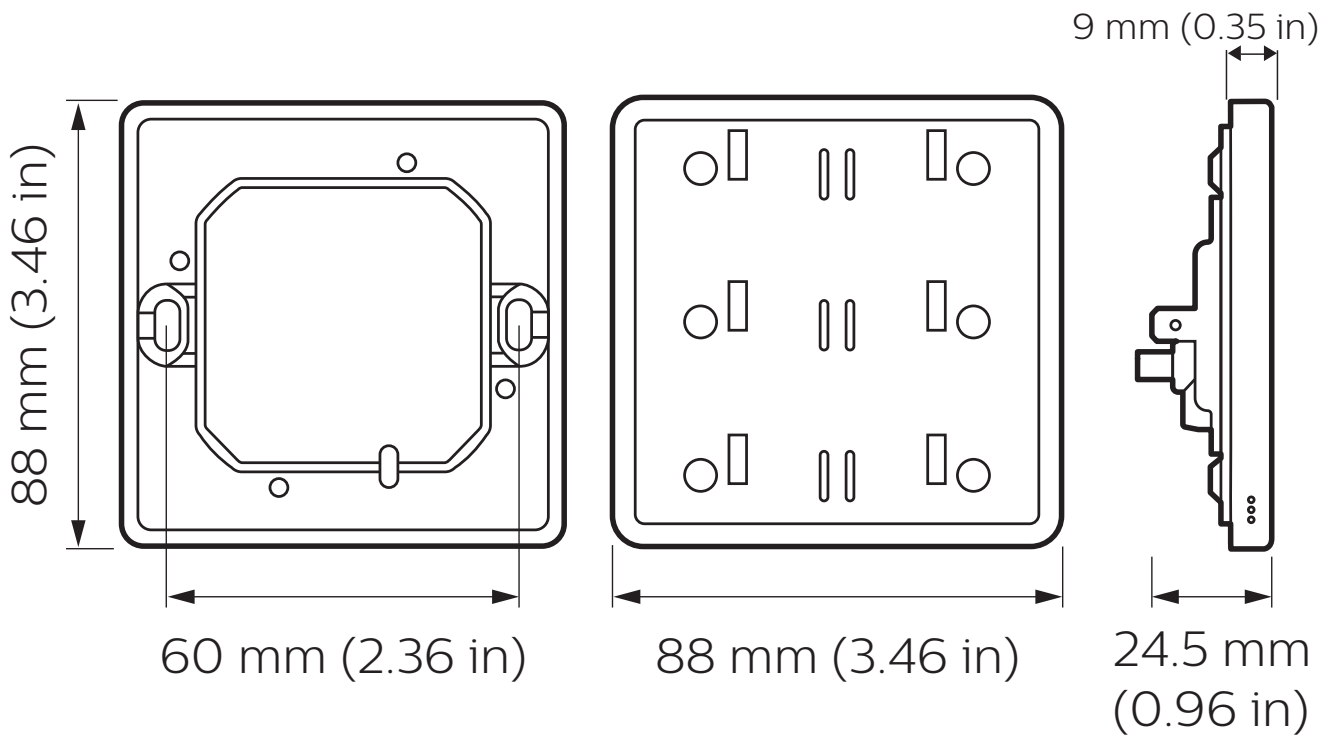
PAXBLE

Two-, four-, or six-button panel with dry contact switches

- **Multiple language and icon labeling** – Button labeling language choices include English, Chinese and Arabic. A library of common icons transcends language barriers, which is particularly useful in hospitality applications.

- **Décor-matching options** – Buttons and rims are available in a range of attractive polycarbonate and metallic finishes.

Dimensions



AntumbraLite European Models

PA6BLE - Six buttons



PA4BLE - Four buttons



PA2BLE - Two buttons



Specifications

Due to continuous improvements and innovations, specifications may change without notice.



PAXBLE
AntumbraLite Euro

Electrical

Dry Contact Switch Rating	24 VDC @ 10 mA (per switch) SELV
Overvoltage Category	III

Application Module

User Inputs	6 x dry contact switches
-------------	--------------------------

Physical

Dimensions (H x W x D)	88 x 88 x 24.5 mm (3.46 x 3.46 x 0.96 in) (fully assembled)
Packed Weight (application module)	0.16 kg (0.33 lb)
Button/Rim Finish	See Page 4
Dry Contact Outputs	1 x 7-way terminal C, 1-6
Dry Contact Conductor Size	1.5 mm ² (#16 AWG) (max)

Environment*

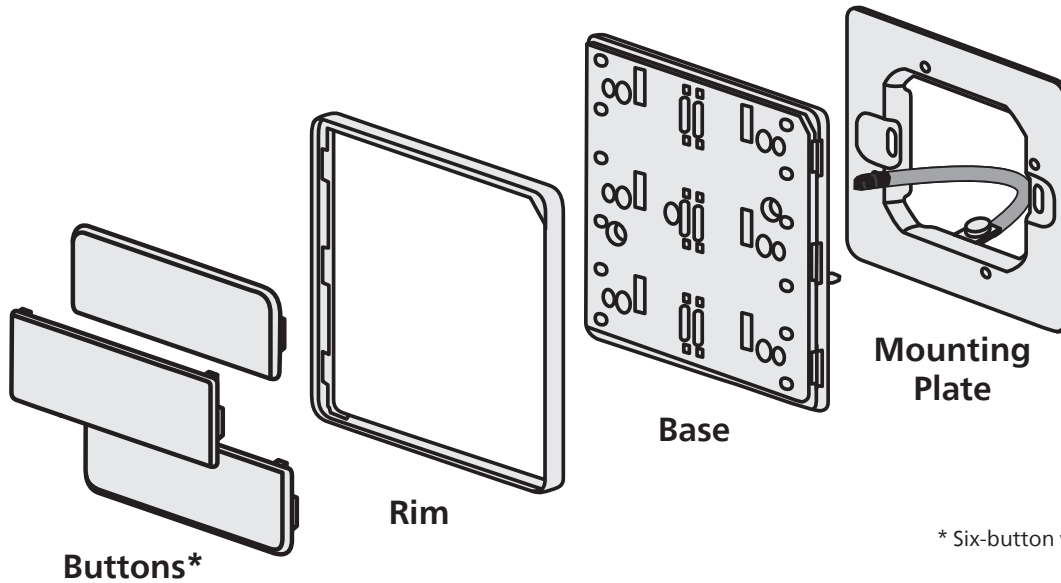
Operating Temperature	-5° to 50°C ambient (23° to 122°F)
Storage/Transport Temperature	-25° to 60°C ambient (-13° to 140°F)
Humidity	0 to 90% non-condensing
IEC Pollution Degree	II

Compliance

Certification	CE, RCM, UKCA, RoHS
IP Rating	IP3X

* For indoor installation only

AntumbraLite Panel Assembly



Corona Button Finishes (Polycarbonate)



Magnesium
White labeling



Silver
Black labeling



White
Black labeling

Flare Button Finishes (Metallic)

NOTE: Flare colors are created through a batch-controlled anodizing process. Separate batches may vary slightly in color and surface appearance.



Aluminum
Black labeling



Gold
Black labeling



Jet
Off-white labeling



Noir
Off-white labeling



Prestige
Black labeling



Vintage
Off-white labeling

Rim Finishes



Aluminum



Chrome



Magnesium



White

Application Module Ordering Code

PA6BLE-BC-X



Buttons

2 = Two-button
4 = Four-button
6 = Six-button

Button Finish

Corona (Polycarbonate)
M = Magnesium
S = Silver
W = White

Flare (Metallic)

A = Aluminum
G = Gold
J = Jet
N = Noir
P = Prestige
V = Vintage

Rim Finish

A = Aluminum
C = Chrome
M = Magnesium
W = White

Button Labeling

L = Labeling
X = No labeling

© 2024 Signify Holding.

All rights reserved. Specifications are subject to change without notice. No representation or warranty as to the accuracy or completeness of the information included herein is given and any liability for any action in reliance thereon is disclaimed. Philips and the Philips Shield Emblem are registered trademarks of Koninklijke Philips N.V. All other trademarks are owned by Signify Holding or their respective owners.



www.dynalite.com

Revision 06 – 2024-01-17