

# DUS804CS-UP

Multifunction Sensor

## Surface mount ceiling sensor with ultrasonic capability

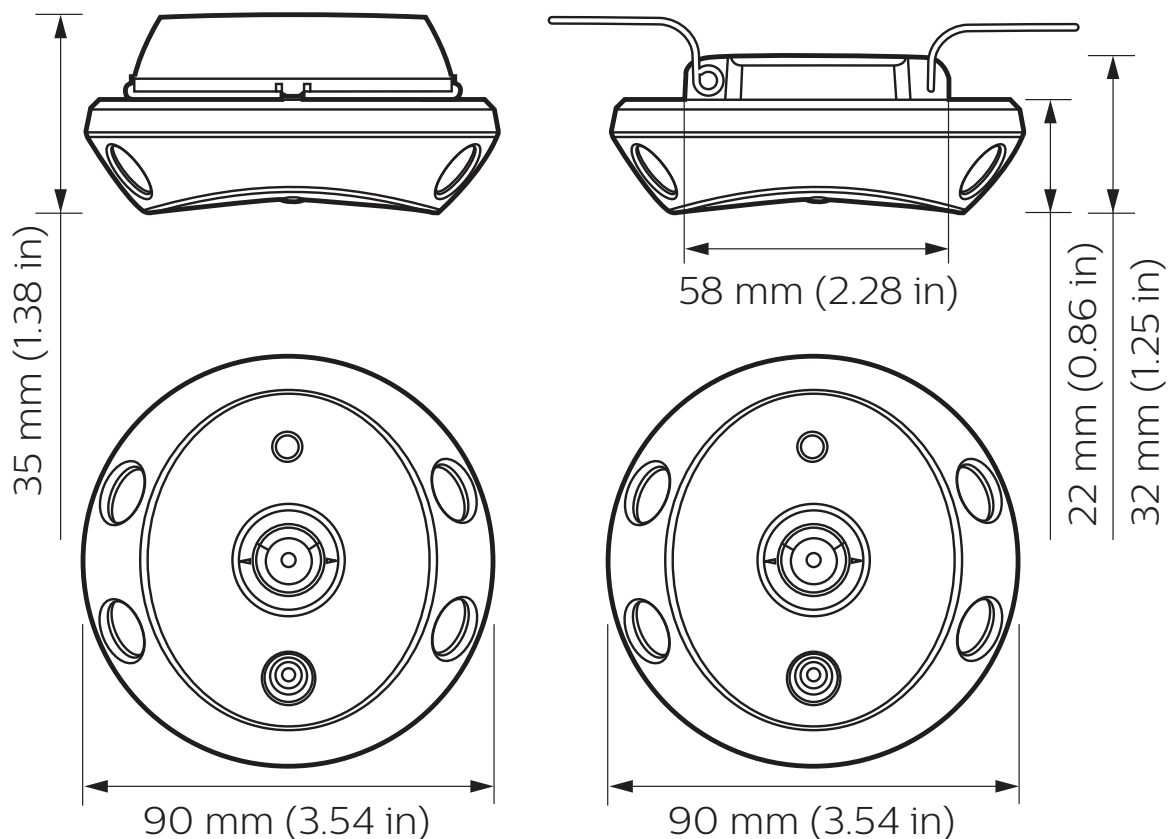
The Philips Dynalite DUS804CS-UP is a surface mountable 360 degree multifunction sensor that combines ultrasonic (UP), motion detection (PIR), infrared remote control reception (IR) and ambient light level detection (PE) into one device in applications such as offices, industrial buildings and secure areas of public buildings.

# DUS804CS-UP

## Surface mount ceiling sensor with ultrasonic capability

- **Motion detection feature** – Detection of motion within scanned area triggers a programmed lighting action. Ultrasonic technology enables motion detection behind fixed objects.
- **Ambient light level regulation** – In applications where it is critical to maintain precise light levels, the PE function reads ambient levels and adjusts artificial light accordingly.
- **Infrared receive capability** – Manually adjust light levels using a hand-held remote control, via the inbuilt IR receive sensor of the DUS804CS-UP.
- **Daylight harvesting mode** – Delivers automatic energy savings.
- **Corridor hold** – Links corridor areas with adjacent rooms so corridor remains lit while occupancy is detected in adjacent rooms.

## Dimensions



# Specifications

Due to continuous improvements and innovations, specifications may change without notice.



**DUS804CS-UP**  
Multifunction Sensor

## Electrical

Supply Type	DyNet
Supply Voltage	12-15 VDC
Supply Current	80 mA
IEC Overvoltage Category	III

## Motion Detection (Ultrasonic)

Transducer Pairs	2
Operating Frequency	32 KHz
Detection Area	See next page

## Motion Detection (PIR)

Sensor	Quad element pyroelectric
RFI Immunity	>15 V/m @ 10-1000 MHz
Maximum Detection Range	5 m (16.4 ft)*
Detection Area	See next page

## Light Detection (PE)

Lux Range	5-5000 lux
-----------	------------

## Control

Serial Ports	1 x RS-485
Supported Protocols	DyNet
User Input	Infrared (NEC IR remote control) 1 x service switch
Indicators	1 x RGB LED
Red:	PIR motion detection
Green:	Ultrasonic motion detection
Blue:	Insufficient network voltage**

\* Typical detection range at  $\leq 25^{\circ}\text{C}$  (77°F). Range is reduced at higher temperatures.

\*\* The sensor must receive minimum of 12VDC from the DyNet network. If necessary, add additional DDNP1501 network power supplies to ensure adequate network voltage at all times.

## Physical

Dimensions (H x W)	32 x 90 mm (1.26 x 3.54 in)
Packed Weight	0.25 kg (0.55 lb)
Construction	Polycarbonate plastic enclosure
Color	Off-white
Serial Ports	1 x 5-way screw terminal +V, D-, D+, GND, SHLD
Screw Terminal Conductor Size	2.5 mm <sup>2</sup> (#12 AWG) (max)
Mounting Substrate Thickness	3-25 mm (0.12-0.98 in)

## Environment\*\*\*

Minimum Distance Between Sensors	18m (59.1 ft)
Operating Temperature	0° to 50°C ambient (32° to 122°F)
Storage/Transport Temperature	-25° to 70°C ambient (-13° to 158°F)
Humidity	0 to 90% non-condensing
IEC Pollution Degree	II

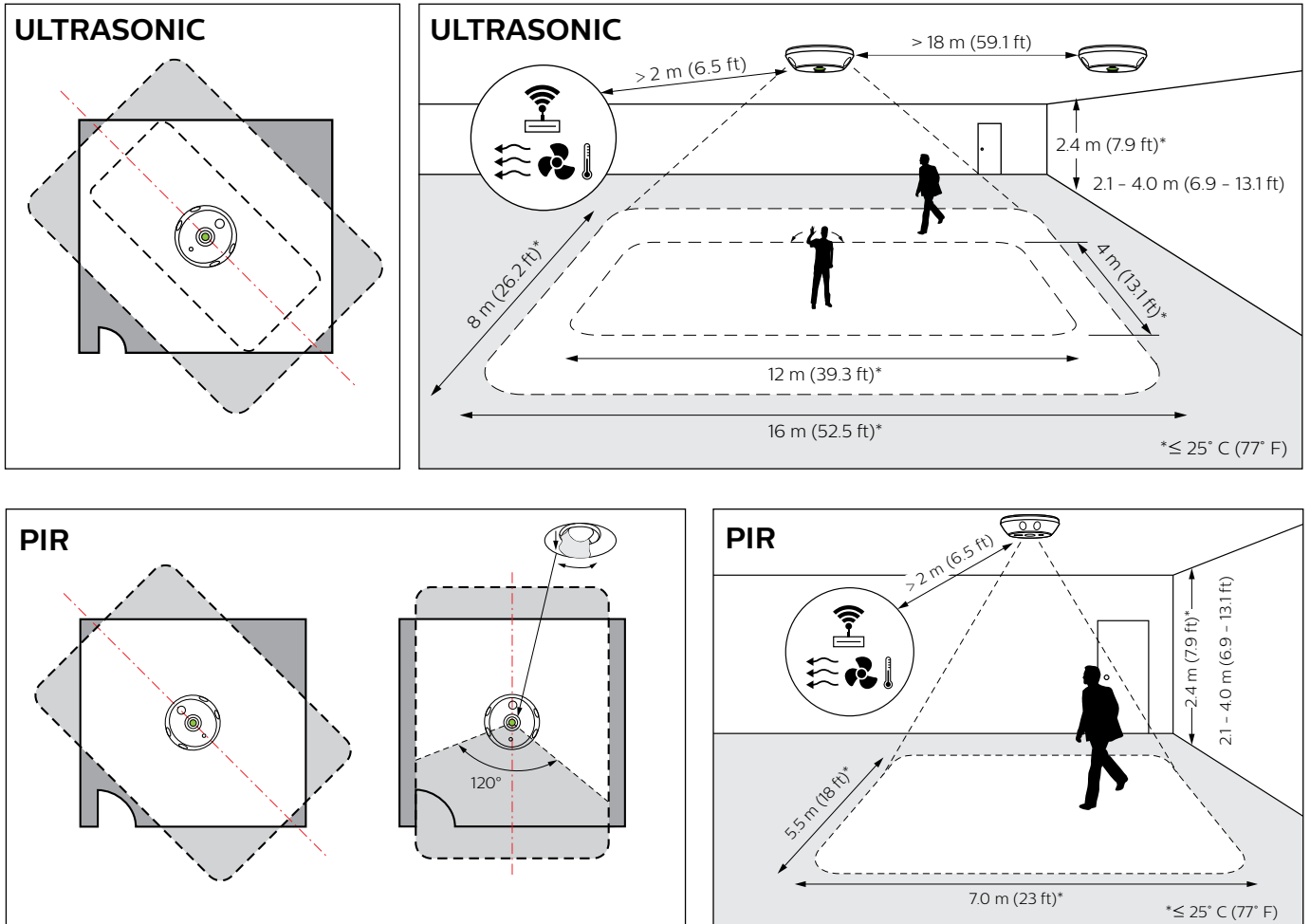
## Compliance

Certification	CE, RCM, UL/cUL, UKCA, RoHS
---------------	-----------------------------

\*\*\* For Indoor Installation Only



# Detection Area



## Ordering Code

### Product

DUS804CS-UP

**Philips 12NC**

913703070409

### Accessories

DINGUS-DUS-RJ12-DUAL (dual RJ12 connector - pack of 10)

**Philips 12NC**

913703064309

DINGUS-DUS-RJ45-DUAL (dual RJ45 connector - pack of 10)

913703064409

© 2024 Signify Holding.

All rights reserved. Specifications are subject to change without notice. No representation or warranty as to the accuracy or completeness of the information included herein is given and any liability for any action in reliance thereon is disclaimed. Philips and the Philips Shield Emblem are registered trademarks of Koninklijke Philips N.V. All other trademarks are owned by Signify Holding or their respective owners.



[www.dynalite.com](http://www.dynalite.com)

Revision 09 – 2024-01-17