



DDNG-KNX

KNX Network Gateway

High level KNX integration

The Philips Dynalite DDNG-KNX allows for high level integration between a Philips Dynalite system and BMS using the KNX protocol.

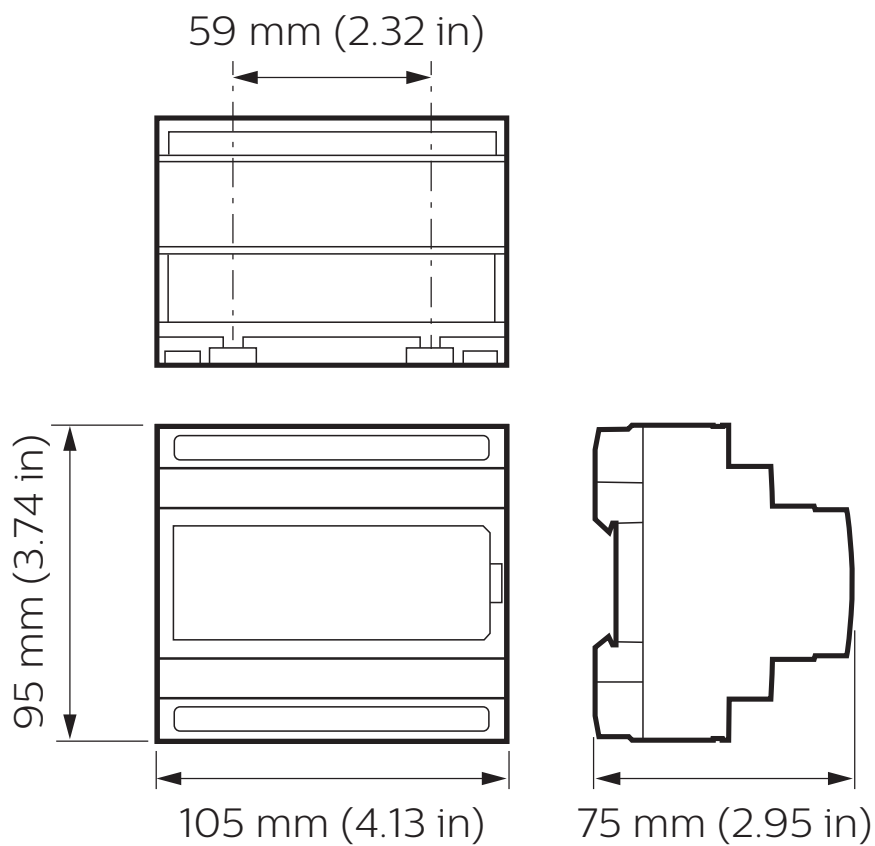
Each DDNG-KNX supports up to 250 KNX datapoints.

DDNG-KNX

High level KNX integration

- **Directly trigger tasks** – Use the building management system (BMS) to directly control DyNet functions.
- **Status request** – Interrogate a Philips Dynalite system to request current status information.
- **User controls included** – DyNet/KNX service switches and DyNet/KNX diagnostic LEDs.

Dimensions



Specifications

Due to continuous improvements and innovations, specifications may change without notice.



DDNG-KNX
KNX Network Gateway

Electrical

| | |
|--------------------------|--------------|
| Supply Type | DyNet |
| Supply Voltage | 12 VDC |
| Supply Current | 15 mA |
| Serial Port Isolation | 2.5 kV surge |
| KNX DC Input Voltage | 21-30 VDC |
| KNX DC Input Current | ≤ 10 mA |
| IEC Overvoltage Category | III |

Control

| | |
|----------------------|--|
| Communication Ports | 1 x RS-485 1 x KNX |
| Supported Protocols | DyNet DyNet2 KNX EIB |
| KNX Datapoints | 250 |
| Dry Contact Inputs | 1 (AUX) |
| User Input | 1 x DyNet service switch 1 x KNX service switch |
| Indicators | 1 x DyNet service LED 1 x KNX service LED |
| Diagnostic Functions | Device Online/Offline status |

Physical

| | |
|---------------------------------------|--|
| Dimensions (H x W x D) | 95 x 105 x 75 mm (3.74 x 4.34 x 2.95 in) |
| Packed Weight | 0.25 kg (0.55 lb) |
| Construction | Polycarbonate DIN-rail enclosure (6 unit) |
| Communication Ports | 6 x screw terminal 1 x 2-way pluggable screw terminal |
| Communication Terminal Conductor Size | 2.5 mm ² (#12 AWG) (max) |

Environment*

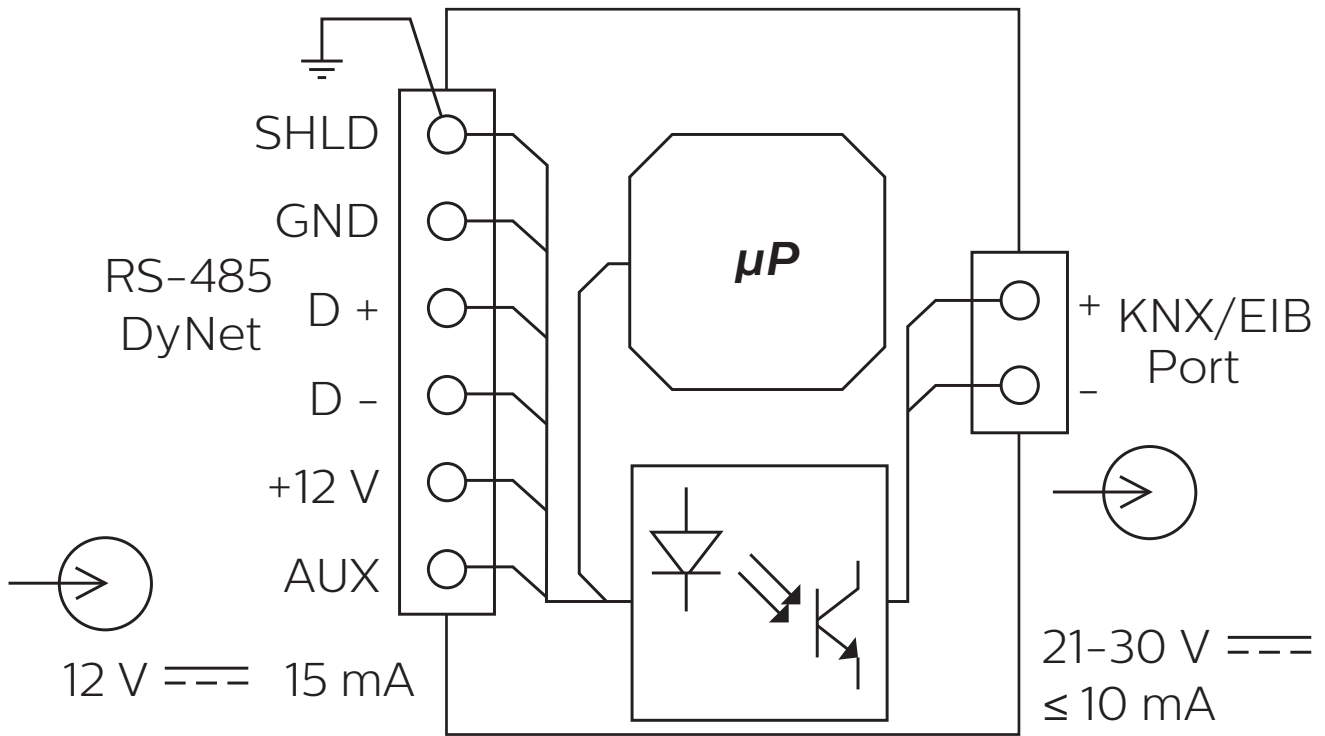
| | |
|-------------------------------|--------------------------------------|
| Operating Temperature | -0° to 40°C ambient (32° to 104°F) |
| Storage/Transport Temperature | -25° to 70°C ambient (-13° to 158°F) |
| Humidity | 0 to 95% non-condensing |
| IEC Pollution Degree | III |

Compliance

| | |
|---------------|---------------------|
| Certification | CE, RCM, UKCA, RoHS |
|---------------|---------------------|

* For indoor installation only

Electrical



Ordering Code

Product

DDNG-KNX

Philips 12NC

913703080509

© 2024 Signify Holding.

All rights reserved. Specifications are subject to change without notice. No representation or warranty as to the accuracy or completeness of the information included herein is given and any liability for any action in reliance thereon is disclaimed. Philips and the Philips Shield Emblem are registered trademarks of Koninklijke Philips N.V. All other trademarks are owned by Signify Holding or their respective owners.



www.dynalite.com

Revision 06 – 2024-01-11